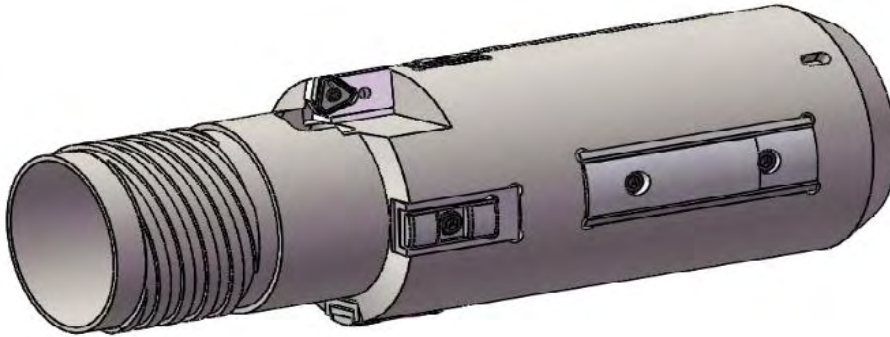


BTA Indexable Pull Counter Bore Tools

Single Tube Drilling System - 4 Start Threads



Part Number	Tool Diameter	Drill Tube Part No.	Tube OD
PCSTxx.xxxx807-00	1.496 - 1.559	BAR4205807	1.181
PCSTxx.xxxx808-00	1.559 - 1.693	BAR4205808	1.299
PCSTxx.xxxx809-00	1.693 - 1.850	BAR4205809	1.417
PCSTxx.xxxx810-00	1.851 - 2.035	BAR4205810	1.535
PCSTxx.xxxx811-00	2.036 - 2.213	BAR4205811	1.693
PCSTxx.xxxx812-00	2.213 - 2.386	BAR4205812	1.850
PCSTxx.xxxx813-00	2.386 - 2.559	BAR4205813	2.008
PCSTxx.xxxx813-00	2.559 - 2.637	BAR4205813	2.008
PCSTxx.xxxx814-00	2.638 - 2.873	BAR4205814	2.205
PCSTxx.xxxx815-00	2.874 - 3.149	BAR4205815	2.441
PCSTxx.xxxx816-00	3.150 - 3.424	BAR4205816	2.677
PCSTxx.xxxx817-00	3.425 - 3.936	BAR4205817	2.953
PCSTxx.xxxx818-00	3.937 - 4.408	BAR4205818	3.228
PCSTxx.xxxx819-00	4.409 - 4.881	BAR4205819	3.701
PCSTxx.xxxx820-00	4.882 - 5.354	BAR4205820	4.173
PCSTxx.xxxx821-00	5.354 - 5.826	BAR4205821	4.646
PCSTxx.xxxx822-00	5.827 - 6.299	BAR4205822	5.118
PCSTxx.xxxx823-00	6.299 - 6.653	BAR4205823	5.591

* Tool Bodies made from high strength steel & heat treated up to 42Rc.

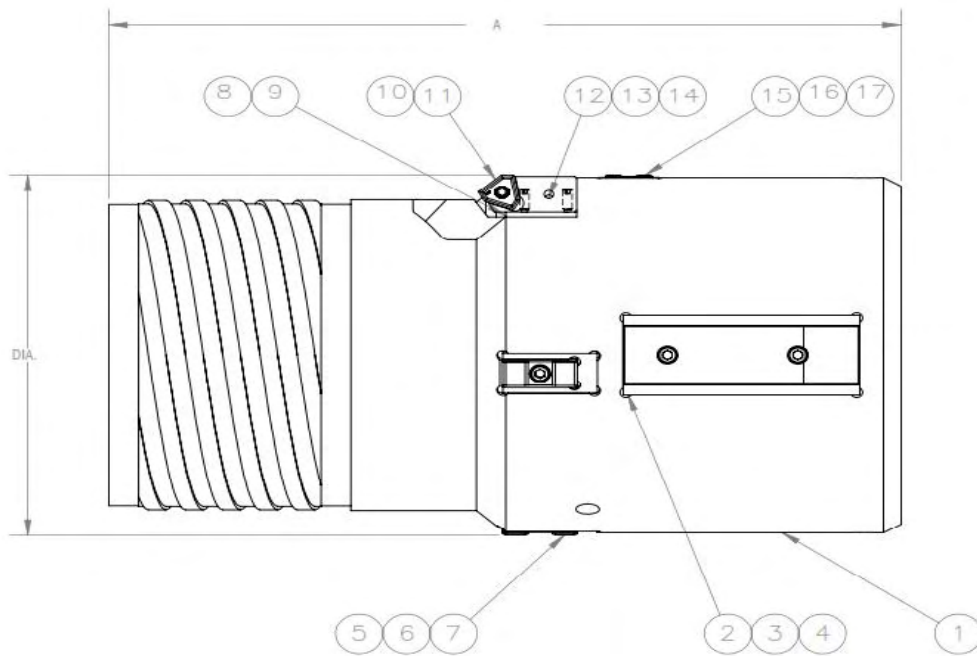
Ordering example: 2) 1.500" diameter Hellerdex heads= 2)PCST015000807-00

*Tools can be designed to be adjustable & based on the diameter you can possibly achieve .500 adjustability

SMALLER & LARGER DIAMETERS QUOTED UPON REQUEST

**TOOLS CAN BE THREADED AS FOLLOWS: DOUBLE & SINGLE TUBE
4 START, SINGLE TUBE 1 START, & SINGLE TUBE ACME THREADS**

BTA Indexable Pull Counter Bore Tools



Tool Diameter	Insert	Cartridge	Carbide Pad/Mon Pad
1.496"-1.771"	BT1123-04	CTOX40204L	FL-08/SKT-1
1.772"-2.361"	BT1123-04	CTOX40204L	FL-10/SKT-2
2.362"-3.897"	BT1123-32	CTOX40232L	FL-14/SKT-4
3.898"-4.500"	BT1123-43	CTOX40243L	FL-18/SKT-5
4.501"-6.653"	BT1123-63	CTOX40263L	FL-18/SKT-5